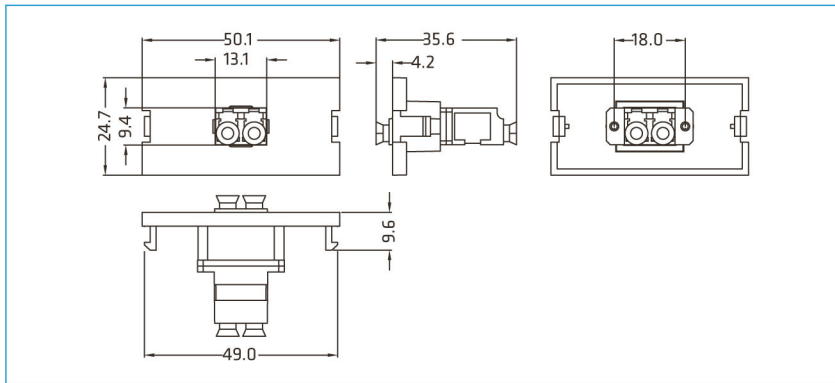


UC CAOF OA LD

1" Snap-in module, LC duplex Adapter



Ordering Information

SAP IC	UC P/N	UC Material Code	Product Description	P.U
YOABP00362	OA7556-LC	UC CAOF OA LD	1" Snap-in module, LC duplex Adapter	1pc/bag