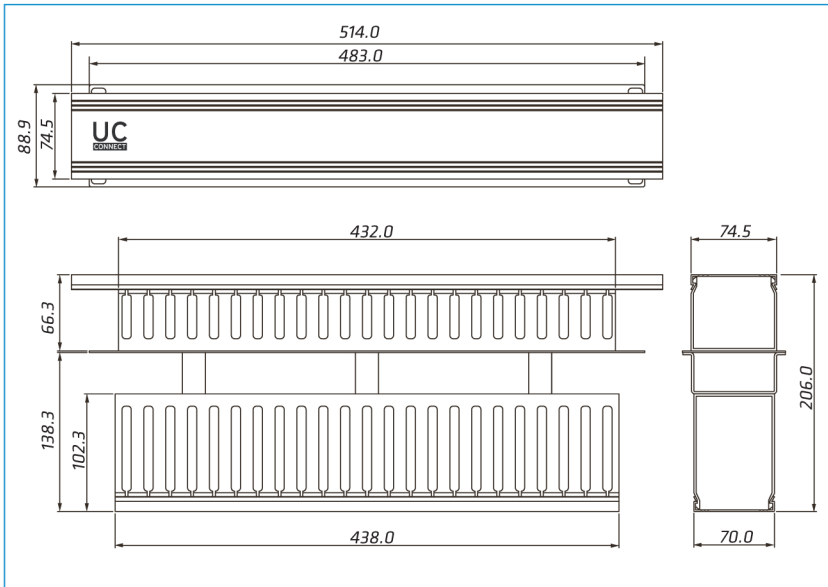


# UC CACC CM 2U V3

19" 2U Cable management, light weight, Double side access



- 2U Double-side Horizontal Cable Management.
- Supplied with Front Cover for neat cabling.
- Complies with ANSI/TIA/EIA-310-D Cabinets, Racks, Panels and Associated Equipment.

## Ordering Information

SAP IC	UC P/N	UC Material Code	Product Description	P.U
YPPBP01576	CMU2U9863	UC CACC CM 2U V3	19" 2U Cable management, light weight, Double side access.	1pc/box