

UC CACC CJ

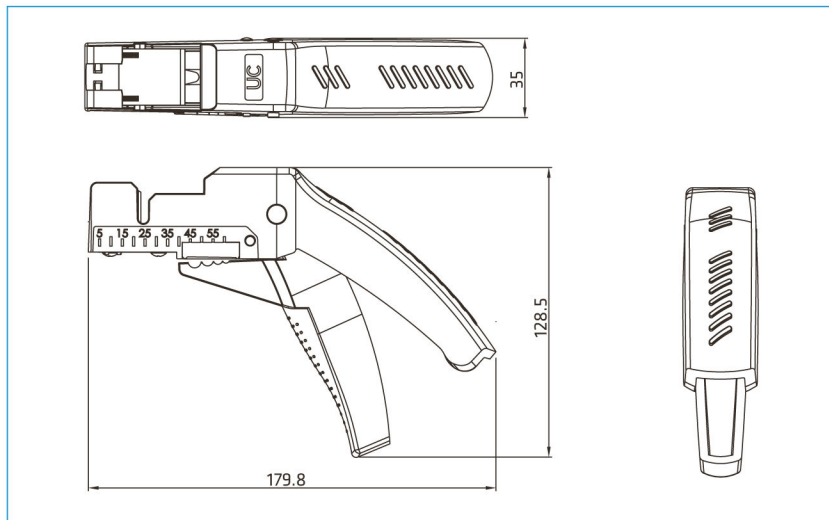
Tool Fast for MJTR 9 Series Keystones

Specification

Item	Description
Housing	Polycarbonate
Blade	Steel



- UC special termination tool.
- Length-meter and cable stripper for efficient preparation of termination.
- Dynamic Jack-seat design makes the allocation of jack quick and easy.
- Press & cut 8 conductors at once saves installation time.
- Accurate and clean cut makes the installation consistent and reduce the failure rate by installers.
- Renewable wire-cutting blade for durable installation.



Ordering Information

SAP IC	UC P/N	UC Material Code	Product Description	P.U
YCJBP00397	CJ9240	UC CACC CJ	Tool Fast for MJTR 9 Series Keystones	1pc/box