

UC C500 MJ TF U BL

Keystone Jack, Cat.6A, RJ45, UTP, 180° Tool Free, White



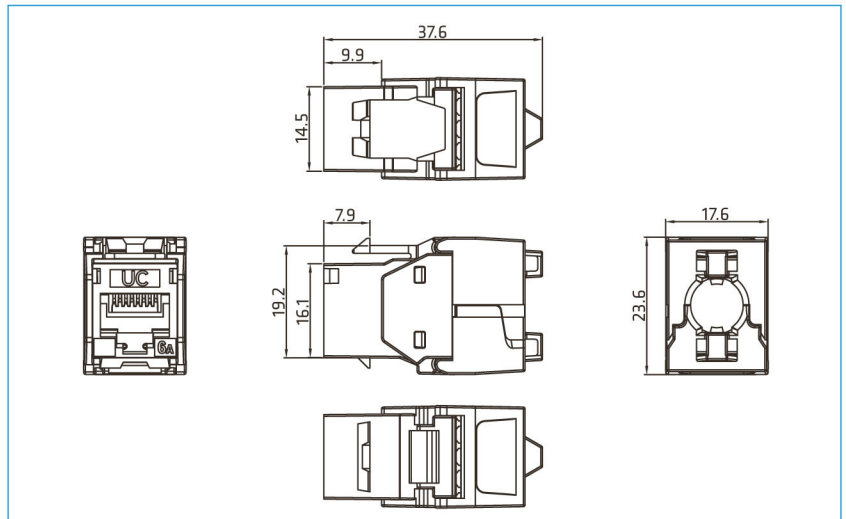
- Category 6A hardware compliant performance.
- Tool-free termination.
- High Density Design provides optimize usage of rack space.
- Component level tested.

Specification

Item	Description
RJ45 Housing	ABS+PC, UL94V0
Contacts and IDC	Phosphor bronze
Contact Surface Finish	50u" gold plated over contact area
IDC Surface Finish	Tin plated
IDC Housing	PC, UL94V0
PCB	FR4 94V0

Performance

Item	Description
Wiring	TIA 568 A/B
Insertion Force	<=30N
Plug Insertion Life	800 times insertion (RJ45, RJ11/RJ12)
Wire Size Capability	22 ~ 26 AWG solid wire



Ordering Information

SAP IC	UC P/N	UC Material Code	Product Description	P.U
YMJB01571	MJTF1270	UC C500 MJ TF U BL	Keystone Jack, Cat.6a, RJ45, UTP, 180° Tool Free, White	1pc/bag