

# UC C400 MJ TS S

Keystone Jack, Cat.6, RJ45, FTP, 180°, Tool Fast, Shielded

## Specification

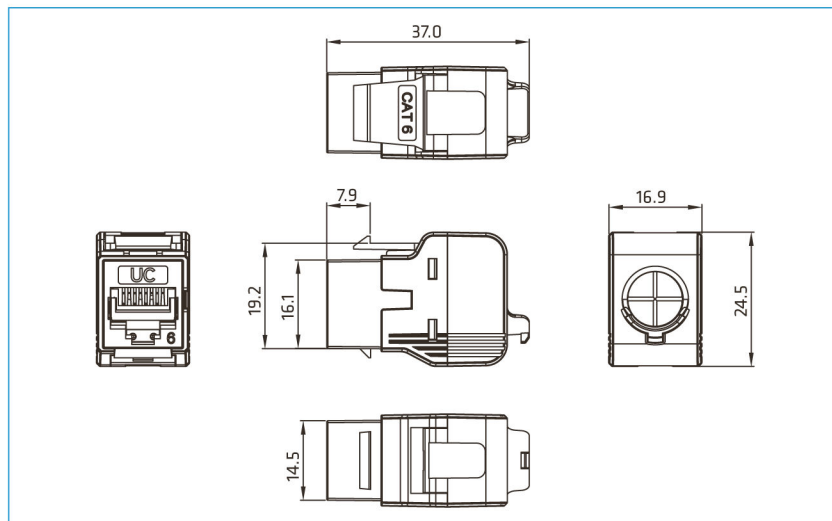
Item	Description
<b>RJ45 Housing</b>	Metalized ABS
<b>Contacts and IDC</b>	Phosphor bronze
<b>Contact Surface Finish</b>	50u" gold plated over contact area
<b>IDC Surface Finish</b>	Tin plated
<b>IDC Housing</b>	PC, UL94V0
<b>PCB</b>	FR4 94V0

## Performance

Item	Description
<b>Wiring</b>	TIA 568 A/B
<b>Insertion Force</b>	<=30N
<b>Plug Insertion Life</b>	800 times insertion (RJ45, RJ11/RJ12)
<b>Re-Termination</b>	10 Cycles
<b>Wire Size Capability</b>	22 ~ 26 AWG solid wire



- Category 6 hardware compliant performance.
- ToolFast Technology, reduces up to 40% termination time.
- High Density Design provides optimize usage of rack space.
- Requires ToolFast P/N CJ9240.
- Component level tested.



## Ordering Information

SAP IC	UC P/N	UC Material Code	Product Description	P.U
<b>YMJBP00338</b>	MJTR9669	UC C400 MJ TS S	Keystone Jack, Cat.6, RJ45, FTP, 180°, Tool Fast, Shielded	1pc/bag

\* can also be used for Cat 6 FTP